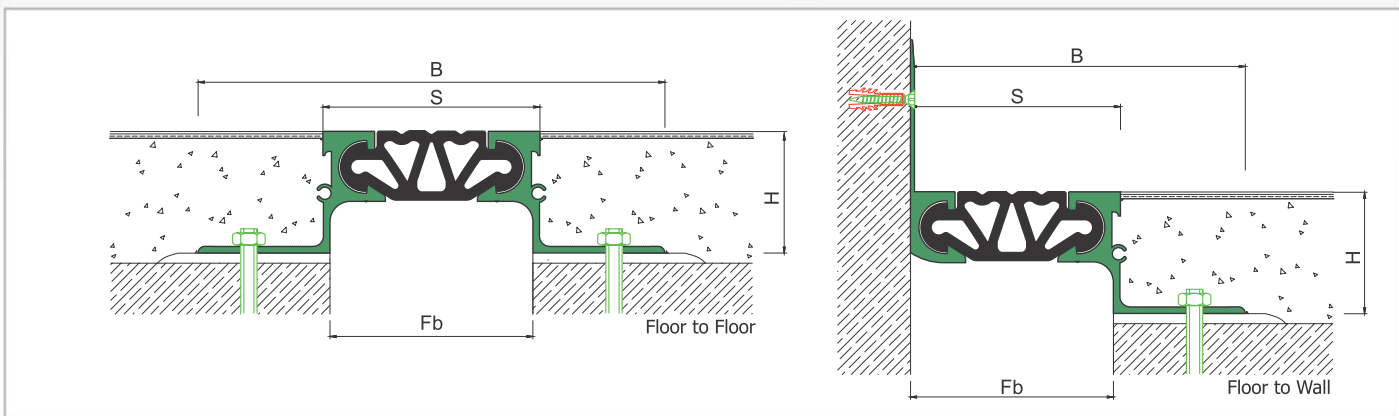
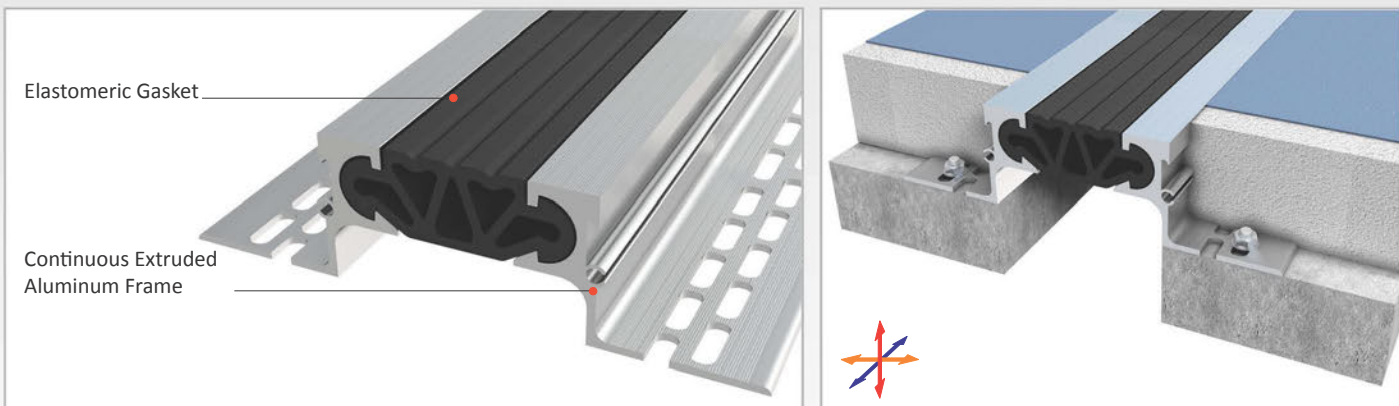


AS A261 flush mounted profile is applicable to all types of floors and load bearing capacity is designed for heavy vehicles. Especially recommended for the places where heavy duty profiles with gasket is inquired. For surface mounted applications AS U260 is available.

- Application Areas** : Indoor & Outdoor / Floor
- Ideal for** : Factories, Warehouses, Car Parks, Airports etc.
- Material** : Mill Finish Aluminum (Anodizing optional), EPDM Gasket
- Aluminum Alloy** : 6063 AA-USA / EN AW 6063
- Optional Supplies** : Fire Barrier, Waterproof EPDM membrane

FLOOR



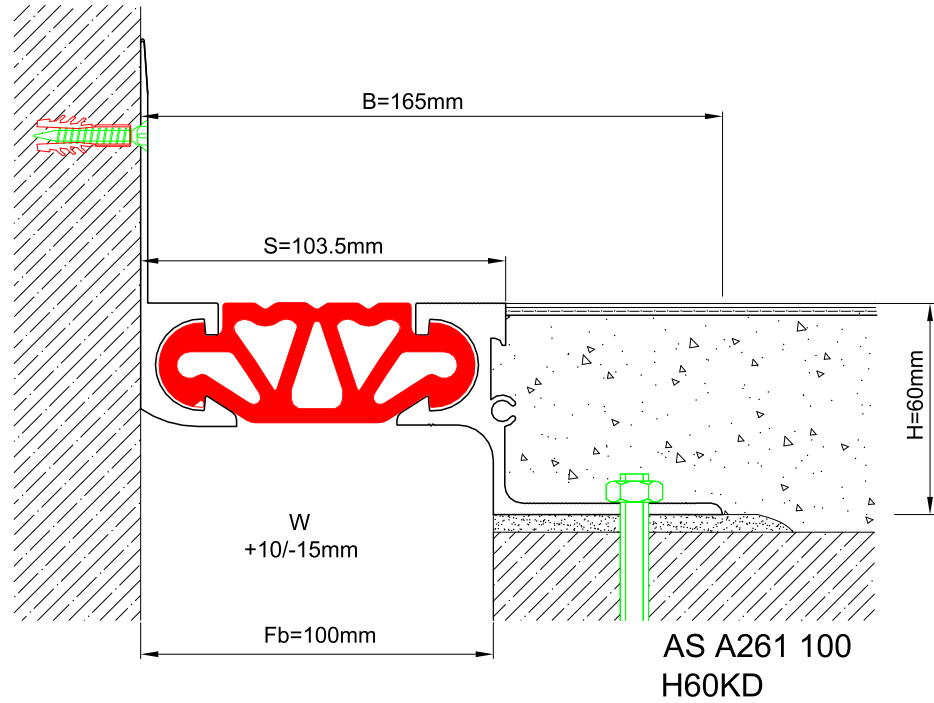
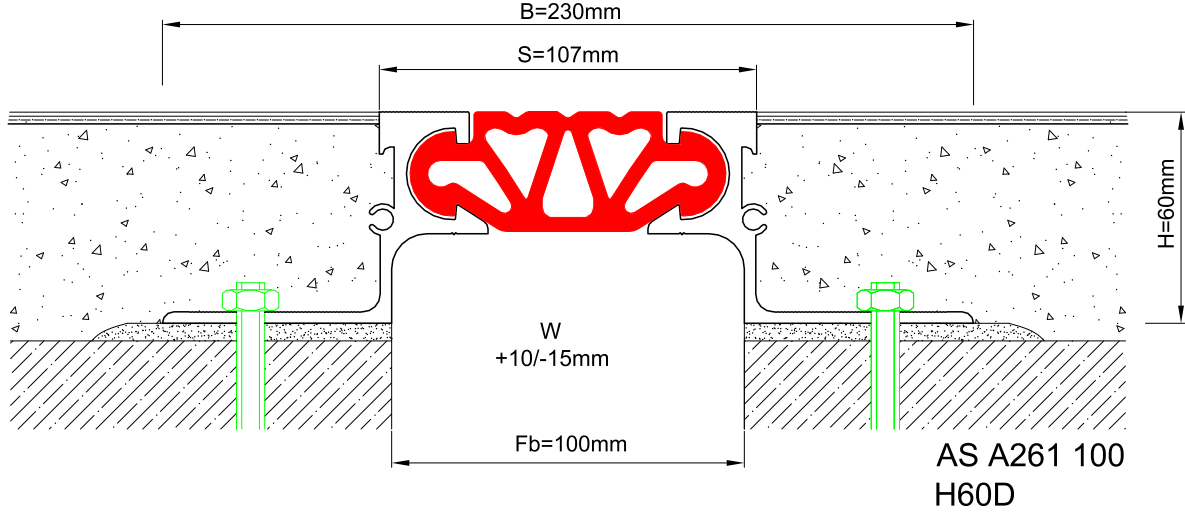
* Visuals are representative and the profile configuration may differ depending on the characteristics requested.

GASKET COLORS **BLACK**

LOCATION	MODEL	GAP (Fb) mm	HEIGHT (H) MM	OVERALL WIDTH (B) mm	VISIBLE WIDTH (S) mm	MOVEMENT (W) mm	LOAD CAPACITY	STANDARD LENGTH (mt)
Floor to Floor	AS A261-080	80	60	210	87	+4 / - 8	35 kN 300 kN	3
	AS A261-100	100	60	230	107	+10 / -15	300 kN	3

Note: Please ask for different sizes





Profil No Profile Number	AS A261 100	AS A261 100K
Fb (mm)	100	100
H (mm) yaklaşık approx.	60	60
W± (mm) yaklaşık approx.	+10/-15	+10/-15
Renk Color	Alüminyum: Natürel, Fitiller: Siyah Aluminum: Natural, Inserts: Black	
Malzeme Material	Alüminyum, EPDM Kauçuk (siyah) Aluminum, EPDM Rubber (black)	
Standart Uzunluk Standard Length	3	
Yükleme Kapasitesi Load-Bearing Capacity	300 kN 